

© innovari - Fotolia.com

High-tech for your success

discovery[®]
sl 2.0

D
DENTAURUM

„Not with inventions,
but with improvements
you create fortune.“

Henry Ford

discovery[®]
sl 2.0



discovery[®] sl 2.0

Revised and redesigned

The design & function of the discovery[®] sl 2.0 bracket has been completely redesigned & improved. Significant improvements have been made to the function of the lid and opening mechanism with Version 2.0. This updated version also earned the Dentaurum seal of quality by proving its reliability & function through the extensive tests and handling of our intensive in-house and clinical tests.



The new features at a glance

- improved flexible lid stop keeps the lid open during archwire change
- new opening mechanism in the direction of force guarantees perfect opening and closing
- new bracket geometry – lid always opens straight. Lids do not buckle.



Proven advantages

- ✓ **Smallest sl bracket in the world**
For perfect aesthetic treatment.
- ✓ **Excellent intraoral comfort**
The patient benefits from the super-smooth surfaces.
- ✓ **Clear Identification & Easy Handling**
Each bracket is assigned to a tooth with the FDI notation etched in the base.
- ✓ **Patented laser structure on the base**
Ensures an optimal bond and easy debonding.
- ✓ **Proven discovery[®] bracket geometry**
Perfect fit on the tooth and easy combinability within the discovery[®] bracket family.

The new features from Dentaureum visualized in detail.

discovery
sl 2.0

NEW!

- special opening instrument guarantees easy & efficient use of lid

- **Twin-wing design**
for greater therapy flexibility

- **Base flange and cross marking**
for more reliable positioning and alignment

- **One-piece bracket**
no solder & good biocompatibility

- **FDI notation**
Clearly assigns each bracket to a tooth

- **new lid geometry**
always opens straight, without buckling

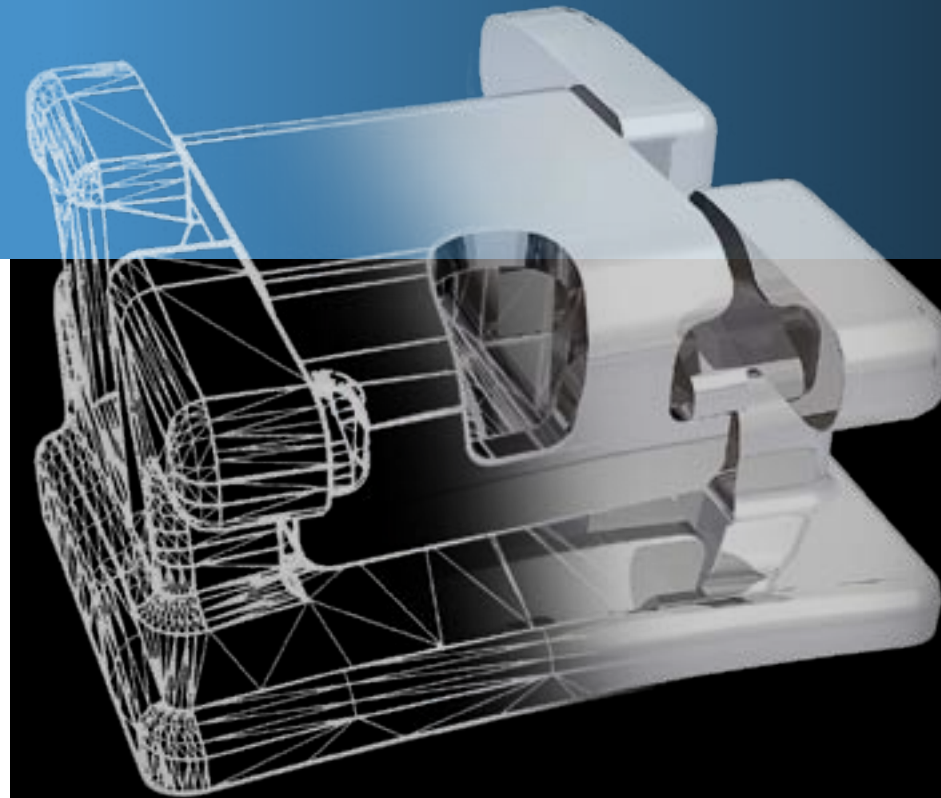
- **low-profile, smooth surfaces**
provides great patient comfort

- **new opening mechanism in the direction of force**
ensures perfect opening and closing

- **patented 3D laser structured base**
for a perfect fit & better bond retention

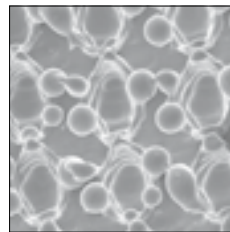
Dentaurum

Quality on the highest level.



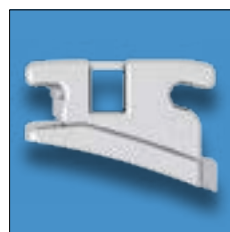
Bracket design

The revised discovery® sl 2.0 bracket is also based on the discovery® design, which has proven successful over many years.



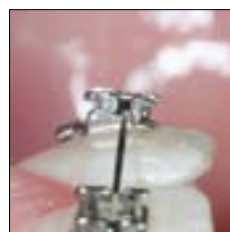
REM image

The laser structure on the base was developed in-house by Dentaurum, and it has been used with great success on metal brackets. This technology provides a stronger, more secure bond retention, while also allowing for efficient debonding.



Twin wing design

If desired, there is sufficient tie-wing space for ligatures on the Discovery sl 2.0. These ligatures help provide "active force" on the arch wire, which is helpful during the finishing stages.



Clinical situation

The smallest bracket in the world speaks for itself. Treatment with metal brackets cannot be any more aesthetic. The super-smooth surfaces and compact size ensure that the brackets are very comfortable to wear

Quality management

Our market success is based on consequent implementation of customer and market requirements. We are therefore committed to continually improving the quality of our processes and products.



Research and Development

The focus of research and development at Dentaurum is in innovative products and procedures for the benefit of our customers and wellbeing of the patient. We are developing possible future scenarios in the dental sector with regular market analyses and constant, intensive dialogue with our customers worldwide.



Service

Quality is certainly a decisive factor, but the performance and services provided for the products make the difference. It is not without reason that we received an award in 2009 and 2010 as one of the 50 best companies in Germany in "Germany's most customer-oriented service provider" competition.



Courses and events

In 1996 the Dentaurum Group opened a special center for courses, events and communication called the Center for Dental Communication. Features of the courses include the highly practice-oriented structure and small participant groups, which guarantee effective learning.





Additional information regarding Dentaaurum products can be found in the internet.

www.dentaaurum.de
www.dentaaurum.de
www.dentaaurum.de

CE 0483

Date of information: 11/11

Subject to modifications